

## STANDARD CONSTRUCTION

- FRAME:** Frame optional. See Page 2 for available options.
- VBS:** 0.465" deep hat channel, 0.063" thick (nominal)  
6063-T5 aluminum alloy vertical blade support (VBS).
- BLADE:** 0.063" thick (nominal) extruded aluminum, 6063-T5 alloy.
- FINISH:** Mill

## OPTIONS

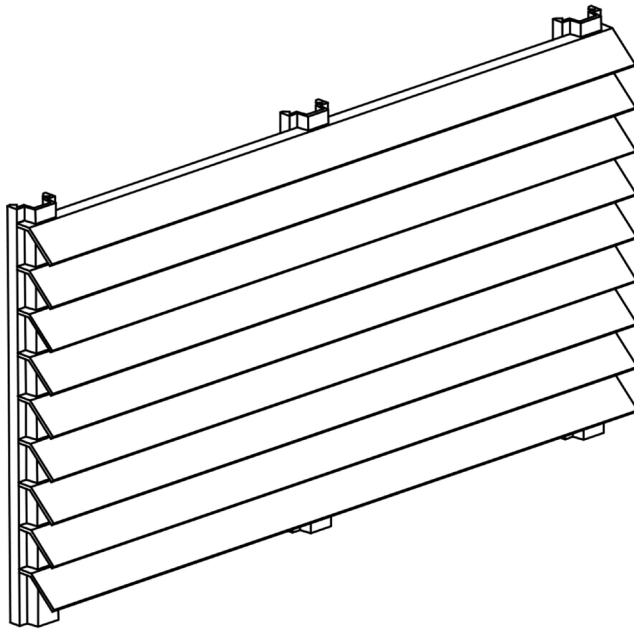
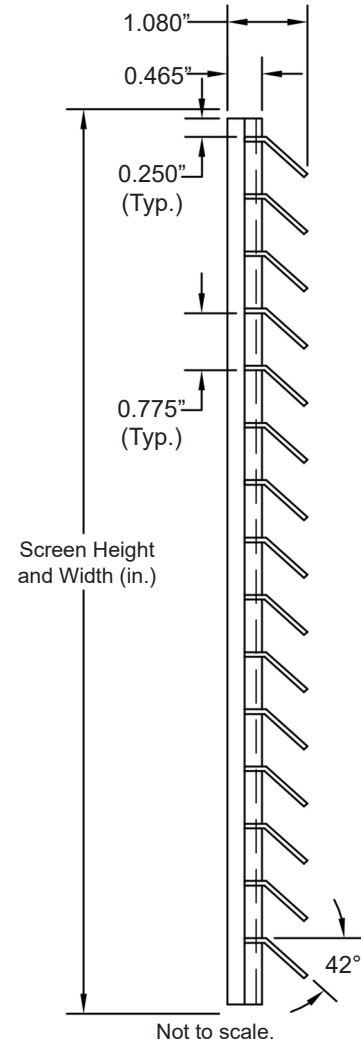
Finish - Anodized, Painted

## NOTES

1. Nominal deductions will be made to the opening size given.
2. Contact the factory for louver sizes larger than 96"W x 48"H.
3. Approximate shipping weight is 6.0 lbs./sq.ft.

## LOUVER SIZES

Min Panel	Max Single Panel
12"W x 12"H	96"W x 48"H



Not to scale.

Item #	Qty	Width	Height	Width	Height	Mullion	Union Made		
		Opening Size		Louver Size					
<b>Arch. / Eng.:</b>				<b>EDR:</b>			<b>ECN:</b>		<b>Job:</b>
<b>Contractor:</b>									
<b>Project:</b>				<b>Date:</b>			<b>DWN:</b>		<b>DWG:</b>

In the interest of product development, Louvers & Dampers reserves the right to make changes without notice.

## FREE AREA TABLES

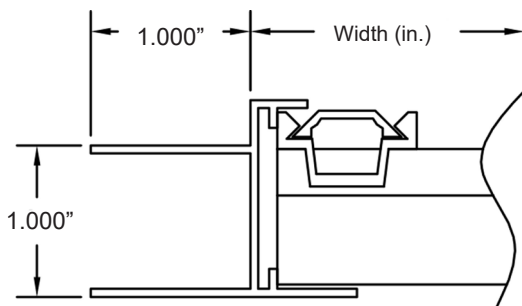
Free Area sq.ft. (sq.m.)

		Width in. (mm)							
		12" (305)	24" (610)	36" (914)	48" (1219)	60" (1254)	72" (1829)	84" (2134)	96" (2438)
Height in. (mm)	12" (305)	.52 (0.05)	1.11 (0.10)	1.69 (0.16)	2.32 (0.22)	2.90 (0.27)	3.48 (0.32)	4.06 (0.38)	4.69 (0.44)
	24" (610)	1.08 (0.10)	2.29 (0.21)	3.50 (0.33)	4.80 (0.45)	6.00 (0.56)	7.21 (0.67)	8.41 (0.78)	9.71 (0.90)
	36" (914)	1.63 (0.15)	3.44 (0.32)	5.25 (0.49)	7.20 (0.67)	9.01 (0.84)	10.81 (1.01)	12.62 (1.17)	14.58 (1.35)
	48" (1219)	2.19 (0.20)	4.62 (0.43)	7.05 (0.66)	9.68 (0.90)	12.11 (1.13)	14.54 (1.35)	16.97 (1.58)	19.60 (1.82)

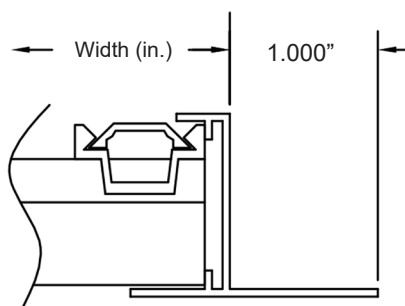
Free Area (% Free Area)

		Width in. (mm)							
		12" (305)	24" (610)	36" (914)	48" (1219)	60" (1254)	72" (1829)	84" (2134)	96" (2438)
Height in. (mm)	12" (305)	52.00	55.50	56.33	58.00	58.00	58.00	58.00	58.63
	24" (610)	54.00	57.25	58.33	60.00	60.00	60.08	60.07	60.69
	36" (914)	54.33	57.33	58.33	60.00	60.07	60.06	60.10	60.75
	48" (1219)	54.75	57.75	58.75	60.50	60.55	60.58	60.61	61.25

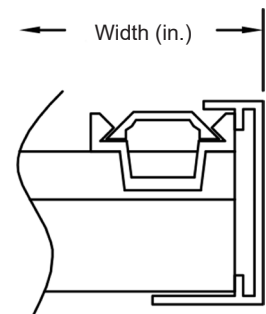
## FRAME OPTIONS



Glazing Frame  
(Optional)



Flanged Frame  
(Optional)



Channel Frame  
(Optional)